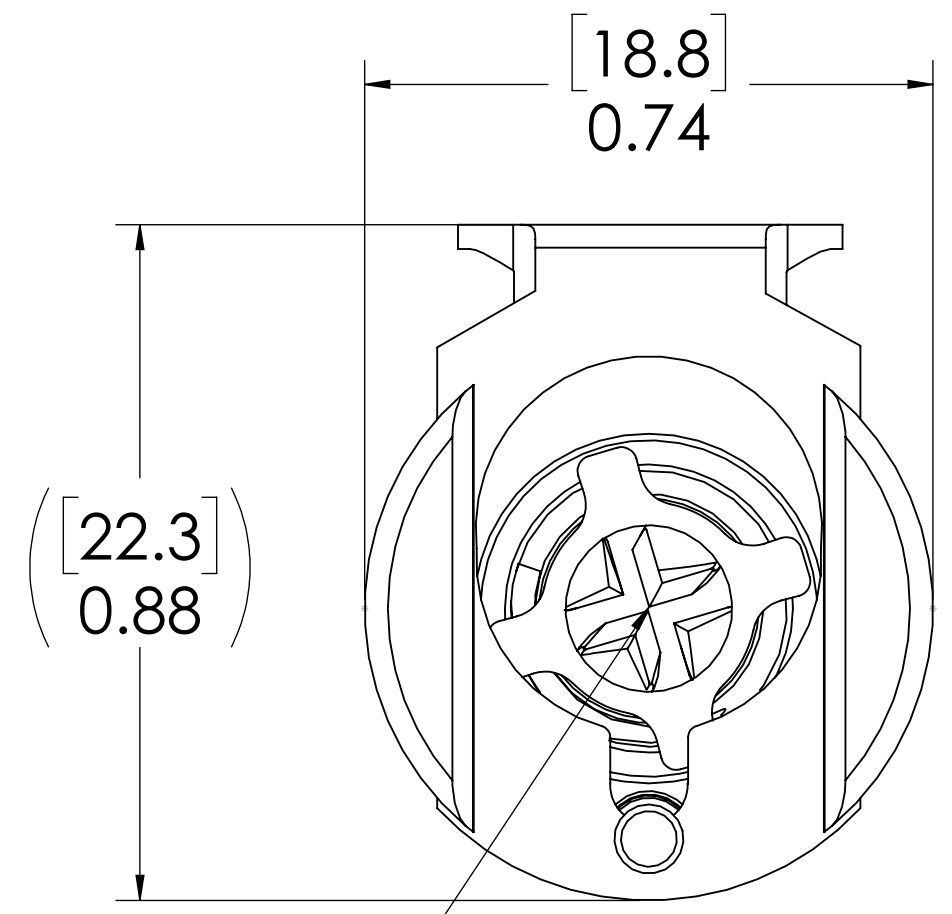
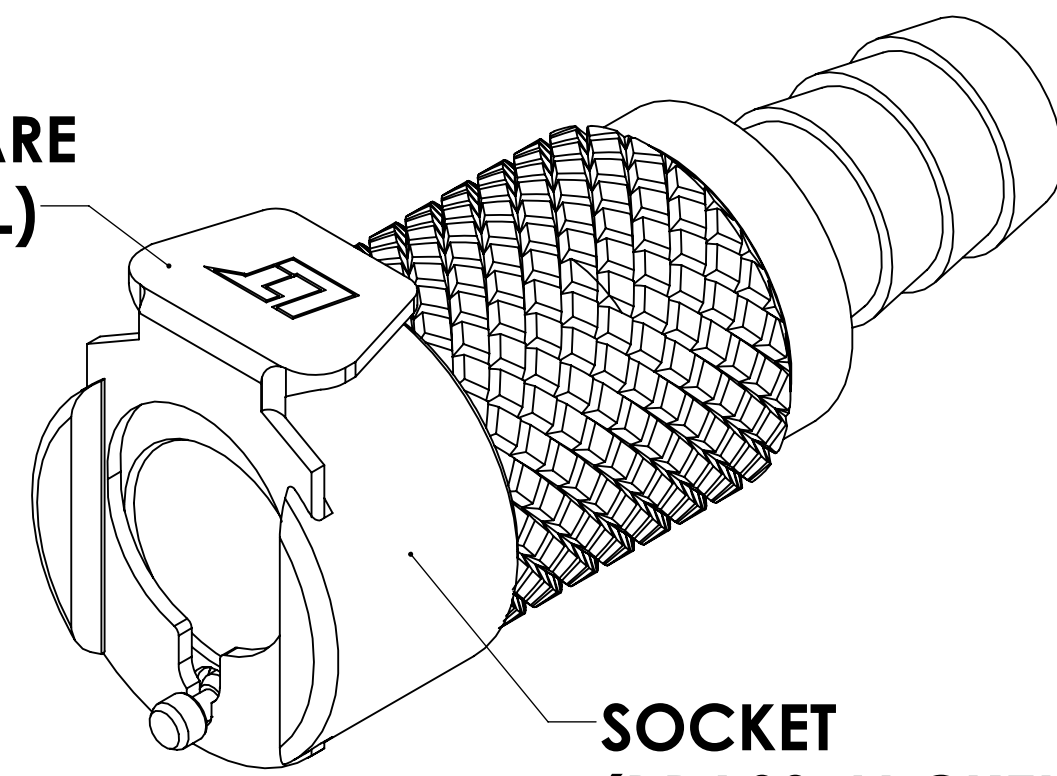


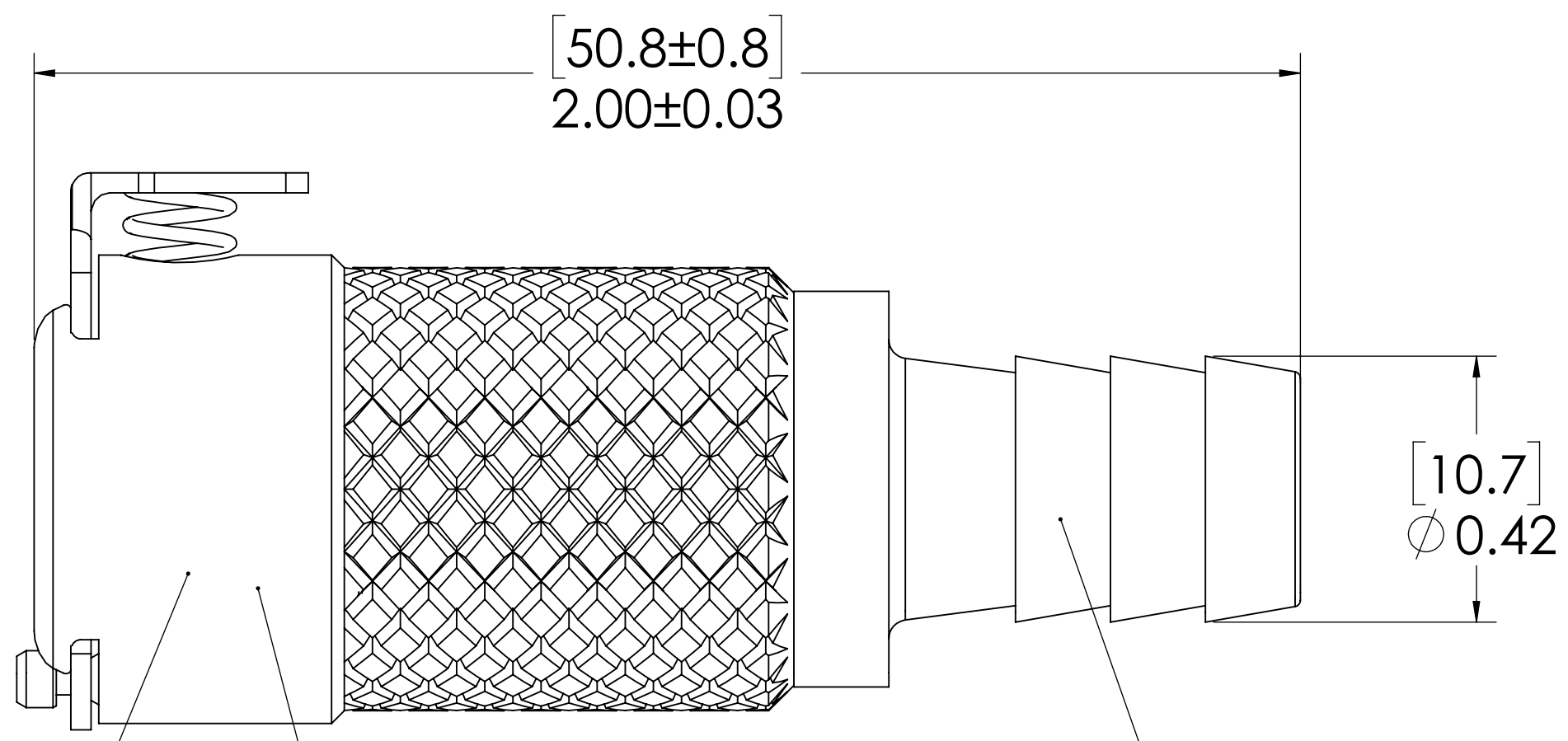
REVISIONS						
SHEET	ZONE	REV.	ECO	DESCRIPTION	DATE	APPROVED
1	ALL	A	50242	PIN, PIN SPRING & 2017 FORMAT UPDATE	6/28/2018	HRC

**LATCH HARDWARE
(STAINLESS STEEL)**

**SOCKET
(BRASS, NICKEL &
CHROME PLATED)**



**VALVE
(ACETAL)**



**VALVE SPRING
INTERNAL
(STAINLESS STEEL)**


**VALVE O-RING
INTERNAL
(BUNA-N)**

3/8" TUBE ID

NOTES:

1. MATERIAL: BRASS
2. FINISH: CHROME
3. O-RING MATERIAL: BUNA-N
4. O-RINGS LUBRICATED WITH FOOD GRADE SILICONE OIL, 350 CST.

FOR REFERENCE ONLY

<small>UNLESS OTHERWISE SPECIFIED: DIMENSIONS ARE IN INCHES TOLERANCES: FRACTIONAL ± 1/32 ANGULAR, MACH ± 0.5 BEND ± 2 ONE PLACE DECIMAL ± 0.1 TWO PLACE DECIMAL ± 0.01 THREE PLACE DECIMAL ± 0.005 TWO PLACE DUAL (mm) [± 0.12]</small>	DRAWN	LMP	3/21/2018	 PART NO: 40CBV-SB2-06 DESCRIPTION: LinkTech 40CB Series Straight Female, Valved, 3/8" HB, Chrome Brass	
	CHECKED	HRC	3/21/18		
	ENG APPR.	HRC	6/28/18		
	MFG APPR.	BDB	6/28/18		
PRODUCTION	LS	6/28/18	COMMENTS:	SIZE DWG. NO. REV C 40CB400072 B	
<small>THE INFORMATION CONTAINED IN THIS DRAWING IS THE SOLE PROPERTY OF LINKTECH LLC. ANY REPRODUCTION OR DISCLOSURE IN PART OR AS A WHOLE WITHOUT THE WRITTEN PERMISSION OF LINKTECH LLC IS STRICTLY PROHIBITED.</small>			SCALE: NTS	WEIGHT:	SHEET 1 OF 1